

Soft Served
**Karma Soft Ice Cream Dispenser,
150cones/h (70gr) or 9kg, gravity (UK)**

ITEM # _____

MODEL # _____

NAME # _____

SIS # _____

AIA # _____

**560055 (KARMAGUK)**

Soft ice cream dispenser with 6,5 l tank capacity and 2,3 l cylinder volume, hourly production: up to 120 cones (75 gr) or 9 kg, gravity version, R452A - UK plug

Short Form Specification

Item No. _____

Ideal for the preparation of soft serve ice cream and frozen yogurt. Hourly capacity: up to 120 cones (9 kg/h). Defrost/night mode: temperature will settle at 0/+2°C and the product will remain fresh without getting stressed; turning on again the freezing system the product will be ready in a few minutes. Stainless Steel panels. Minimum level warning light. Gravity feeding system.

Delivered with UK plug.

Main Features

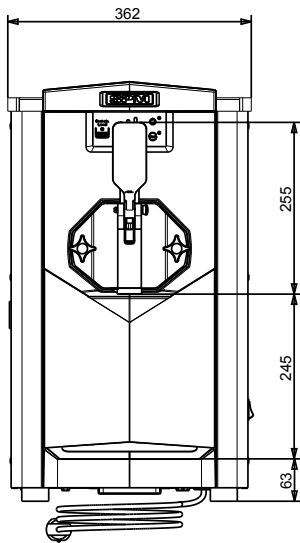
- Ideal for serving of soft serve ice cream and frozen yogurt.
- Defrost/night mode: to activate push on the key with the - symbol until all led lights are off. By this way temperature will settle at 0/+2°C and the product will remain fresh without getting stressed; turning on again the freezing system the product will be ready in a few minutes.
- Minimum level warning light.
- Customizable dispensing lever.
- Small and silent machine.
- Gravity feeding system.
- Hourly capacity (up to): 120 cones (5 kg/h).

Construction

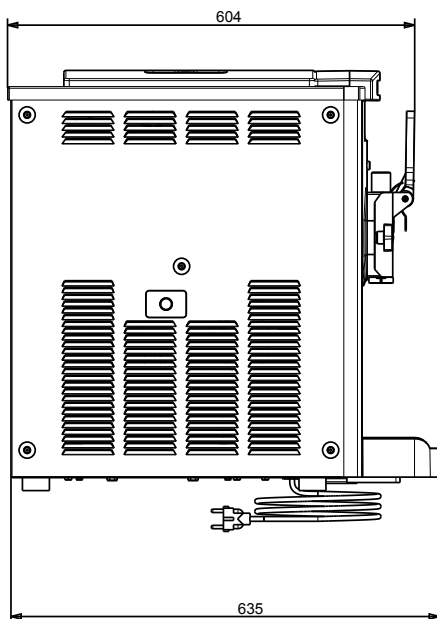
- Stainless Steel panels.

APPROVAL: _____

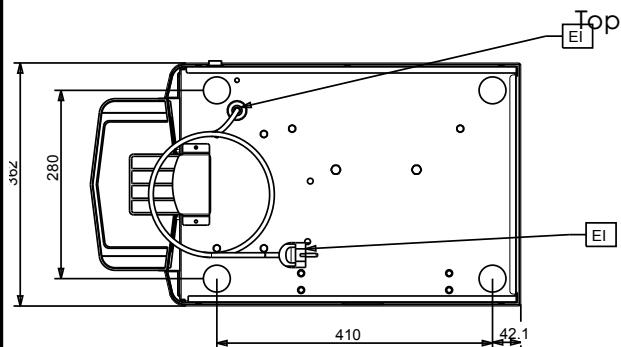
Front



Side



Top



Electric

Supply voltage:

560055 (KARMAGUK) 220-240 V/1 ph/50 Hz

Electrical power max.:

1.15 kW

Key Information:

External dimensions, Width: 357 mm

External dimensions, Depth: 521 mm

External dimensions, Height: 647 mm

Net weight: 70 kg

Freezing cylinder capacity: 2.3 l

Preparation system: gravity

Plug type: UK-13A

Sustainability

Refrigerant type: R452A